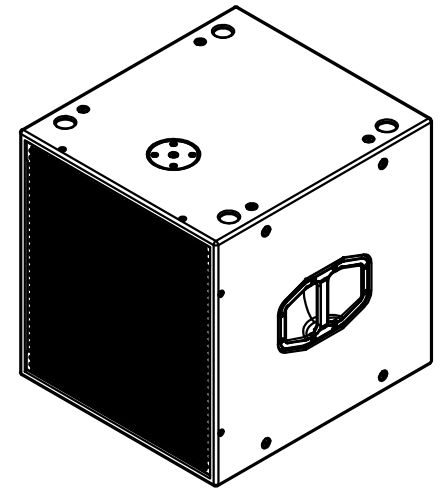
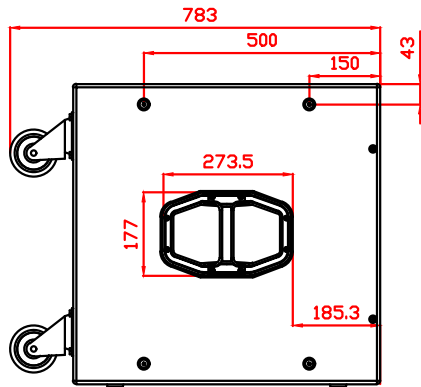


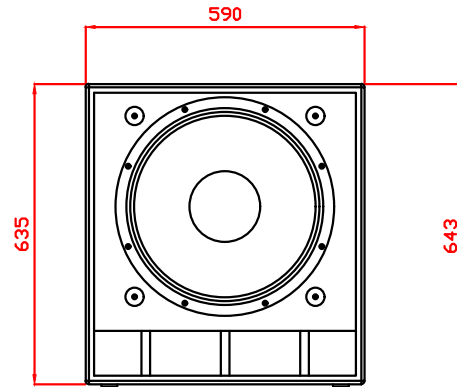
TOP



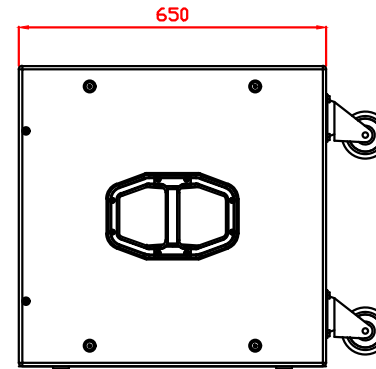
ISOMETRIC



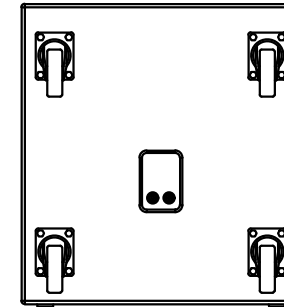
LEFT



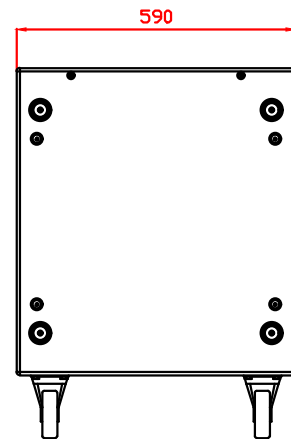
FRONT



RIGHT

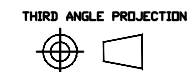


REAR



BOTTOM

DRAWING:	S-18	VERSION:	1
SCALE:	1:16	TOLERANCES: ALL LINEAR DIMS +/- 0.2mm ALL ANGULAR DIMS +/- 0.5	
ALL MEASUREMENTS IN MILLIMETERS			



THIRD ANGLE PROJECTION

