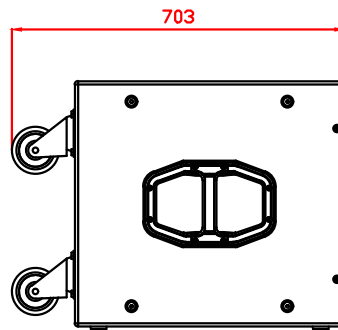
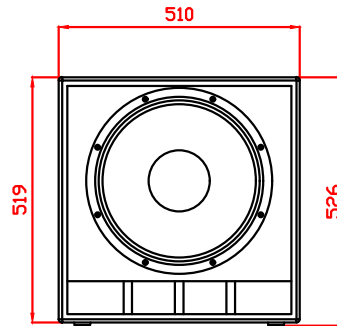


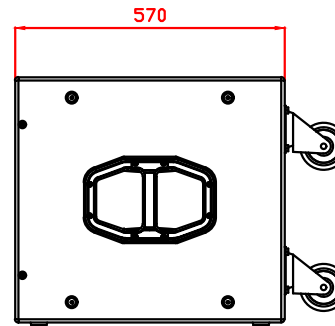
TOP VIEW



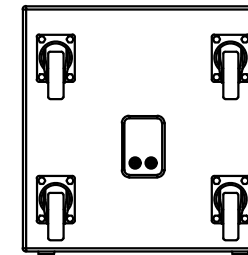
LEFT VIEW



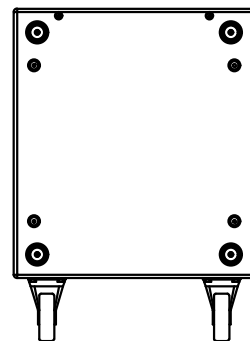
FRONT VIEW



RIGHT VIEW

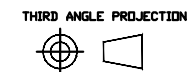


REAR VIEW



BOTTOM VIEW

DRAWING:	S-15	VERSION:	1
SCALE:	1:16	TOLERANCES: ALL LINEAR DIMS +/- 0.2mm ALL ANGULAR DIMS +/- 0.5	
ALL MEASUREMENTS IN MILLIMETERS			



THIRD ANGLE PROJECTION

